

**Raspberry Falls Raw Water Main
Addendum 1**

January 27, 2011

PROJECT: Raspberry Falls Raw Water Main
Project ID Number 20100094

OWNER: Loudoun Water
44865 Loudoun Water Way
Ashburn, VA 20146
Bill Haase
571.291.7985

ENGINEER: Urban, Ltd.
4200-D Technology Court
Chantilly, VA 20151

The following changes, additions, clarifications, and drawings are hereby made part of the Contract Documents for the above referenced project and shall be taken into account in the preparation of all bids and the execution of all work. Bidders shall acknowledge receipt of this addendum in the appropriate space in Section 00410-2 - Bid Form.

The Bid opening date and time REMAIN AS SPECIFIED in Section 00100-1, Invitation to Bid, January 31, 2011 at 3:00p.m..

PART 1 – CLARIFICATIONS

1. Urban Sheet 1-8, General Notes, Item 11: Shall read “If any unmarked or unidentified wells or septic fields are encountered during construction of the raw water main Contractor shall contact Bill Haase at 571.291.7985.

PART 2 – SPECIFICATIONS

Make the following additions, deletions, or other changes to the Contract Documents.

1. Section 02510-3, 2.2.A – States: “ductile pipe shall be minimum pressure class 350” Correct to “Ductile pipe shall be class 52.”
2. Section 02510-4, 2.3.A – States: “Ductile iron fittings shall be in accordance with AWWA C110” Correct to “Ductile iron fittings shall be AWWA C153 (compact).”
3. Section 00100-1 – States: “The Contractor shall connect into the existing public well RSP-F and into Public Well-2 water main” Correct to “The Contractor shall connect into the existing public well RSP-F and into Public Well-1 raw water main”
4. Section 01140-1, 1.02.A - Shall read: “The Contractor shall fully install and test well RSP-F raw water main prior to modifying PW-2 piping.
5. Section 02240-3, 1.07.E - Shall read: “If any unmarked or unidentified wells or septic fields are encountered during construction of the raw water main Contractor shall contact Bill Haase at 571.291.7985”

PART 3 – PLANS

1. Urban Sheet 2 of 8 - Disregard 24" CL III RCP callout in VDOT Pavement Replacement Detail. Steel casing will be utilized per Loudoun Water Engineering Design Manual Detail G-12 "Casing Installation"
2. Urban Sheet 4 of 8 – The plan view of the existing wells PW-2 and PW-3 are called out backwards.
3. Urban Sheet 8 of 8 - Include from Loudoun Water Engineering Design Manual Detail G-12 "Casing Installation" In addition, the 4" DIP will receive a 16" casing.
4. Hazen and Sawyer Sheet M1 - Add following note: "Contractor shall provide filler flanges and flanged spool pieces as required to complete the piping.
5. Urban Sheet 4 of 8 – Station 27+58 shall be a flushing hydrant as specified in Section 02510-7, 2.7.
Urban Sheet 5 of 8 – Include one (1) flushing hydrant between station 45+00 and 45+50. Exact location to be established in the field. This flushing hydrant shall be constructed similar to Station 27+58.
- 6.

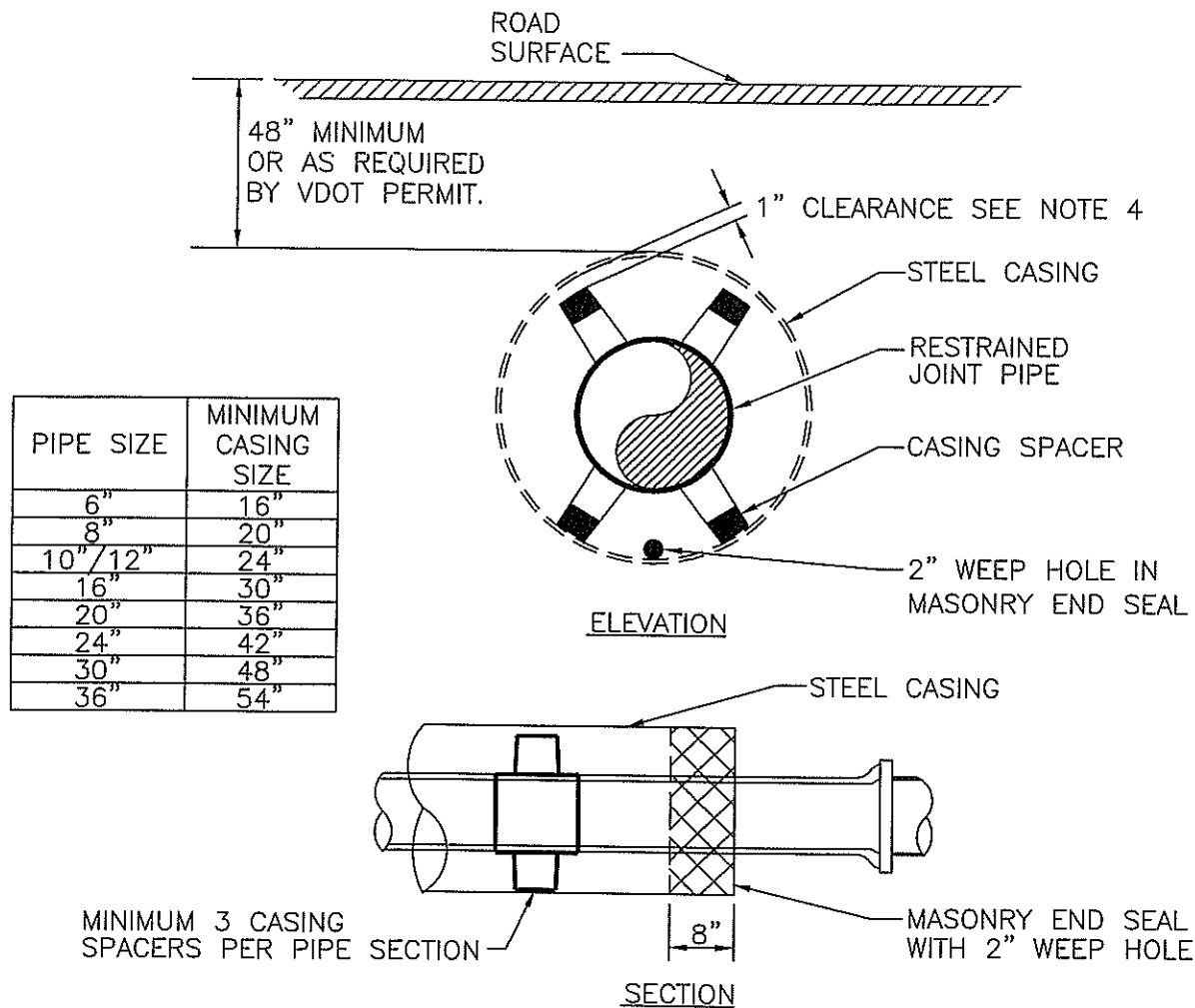
PART 4 –ATTACHMENTS

The following items are attached and considered part of this Addendum:

1. Loudoun Water Detail G-12, Casing Installation
2. Loudoun Water Detail G-6, Pipe Bedding and Encasement

END OF ADDENDUM

LOUDOUN WATER



NOTES:

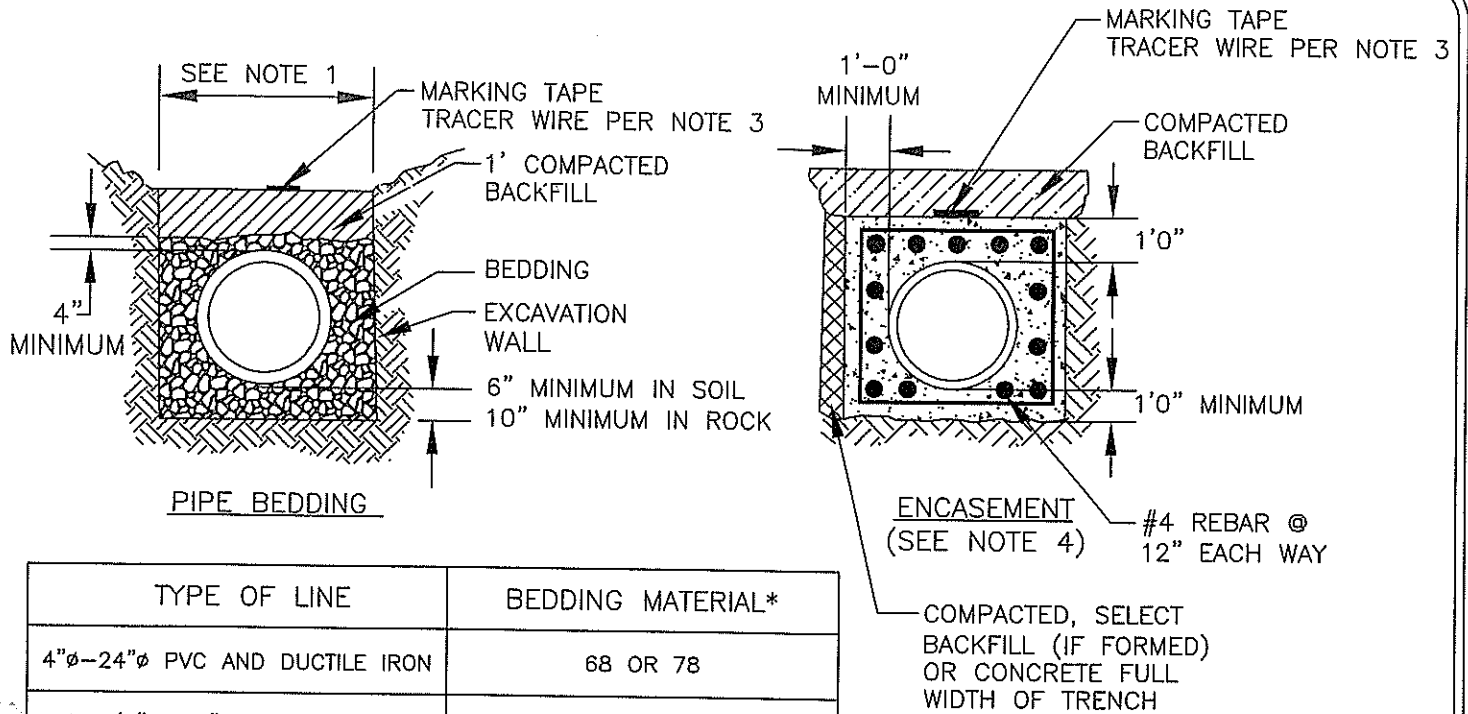
1. MATERIALS SUBMITTAL REQUIRED FOR CASING PIPE, CARRIER PIPE, AND SPACERS.
2. SEE LOUDOUN WATER'S APPROVED MATERIALS LIST FOR CASING AND SPACER REQUIREMENTS.
3. CARRIER PIPE WITHIN CASING TO HAVE RESTRAINED JOINTS.
4. SPACERS SHALL PLACE THE CARRIER PIPE IN THE CENTERED AND RESTRAINED POSITION.
5. CONSULT THE MANUFACTURER OF THE CARRIER AS TO WHETHER PIPE SHOULD BE PUSHED OR PULLED THROUGH CASING. INSTALLATION SHALL CONFORM TO MANUFACTURER'S RECOMMENDATION FOR THE TYPE OF JOINT EMPLOYED.
6. FOR CASINGS 48" AND LARGER, WELD A RUNNER IN THE BOTTOM OF THE CASING TO PREVENT THE CARRIER PIPE FROM SPINNING DURING INSTALLATION.
7. FOR GRAVITY SEWER INSTALLATIONS, FILL ANULAR SPACE WITH GROUT. FOR ALL OTHER INSTALLATIONS, LEAVE ANULAR SPACE EMPTY.

APR.
2010

CASING INSTALLATION

G-12

LOUDOUN WATER



TYPE OF LINE	BEDDING MATERIAL*
4"φ-24"φ PVC AND DUCTILE IRON	68 OR 78
1 1/4" - 3" PVC AND HDPE	8 OR 10 (STONE DUST)
COPPER TUBING	78 OR 8

*CONFORMING TO VDOT ROAD AND BRIDGE SPECIFICATION

NOTES:

1. MINIMUM TRENCH WIDTH IN SOIL FOR LINES 16"φ AND SMALLER: PIPE DIAMETER +12"
 MINIMUM TRENCH WIDTH IN SOIL FOR LINES LARGER THAN 16"φ: PIPE DIAMETER +18"
 MINIMUM TRENCH WIDTH IN ROCK: PIPE DIAMETER +48"
2. FOR PIPES OF 30"φ AND GREATER OR OF A MATERIAL NOT LISTED ABOVE, SPECIFICATIONS SHALL BE MADE ON A PROJECT SPECIFIC BASIS.
3. ADD TRACER WIRE FOR PRESSURIZED PVC OR PE LINES, AND FOR ALL SANITARY LATERALS. FOR 12"φ PIPE AND LARGER, AFFIX TRACER WIRE TO PIPE ON CENTER LINE.
4. ENCASEMENT:
 - A) BEGIN AND END ENCASEMENT AT A PIPE JOINT.
 - B) CONCRETE TO BE CLASS A3 PER APPROVED MATERIALS LIST (3000 PSI).
 - C) BUOYANCY CALCULATIONS REQUIRED FOR PIPES LARGER THAN 12"φ OR IF ENCASEMENT IS TO BE LONGER THAN 60'.
 - D) ALL REINFORCEMENT TO HAVE MINIMUM 2" CONCRETE COVER.
5. ALL MATERIALS MUST CONFORM TO APPLICABLE SECTIONS OF LOUDOUN WATER'S APPROVED MATERIALS LIST.

SEPT.
2010

PIPE BEDDING AND ENCASEMENT

G-6