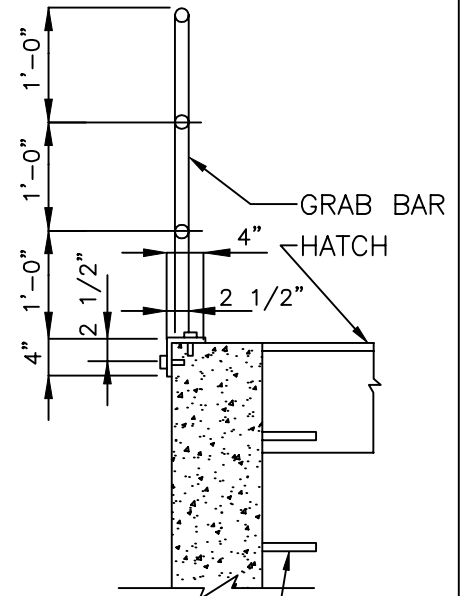


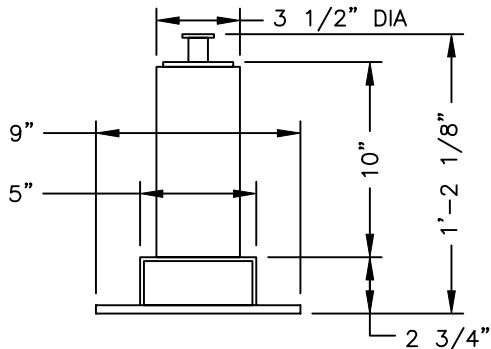
ELEVATION

GRAB BAR



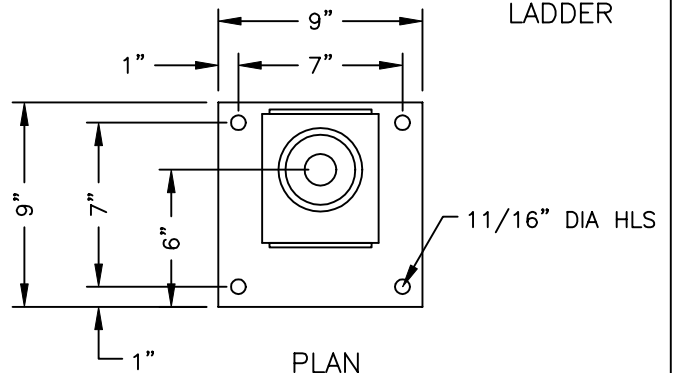
SECTION

MANHOLE
STEPS OR
LADDER



ELEVATION

FLOOR MOUNT BASE



PLAN

NOTES

1. HATCH TO OPEN AWAY FROM GRAB BAR.
2. CENTER LINE OF GRAB BAR TO COINCIDE WITH CENTER OF LADDER.
3. BASE TO BE FALLSOFT GM102, AS MANUFACTURED BY G.D. McKAY CO.
4. INSTALL BASE AS REQUIRED BY LCSA.