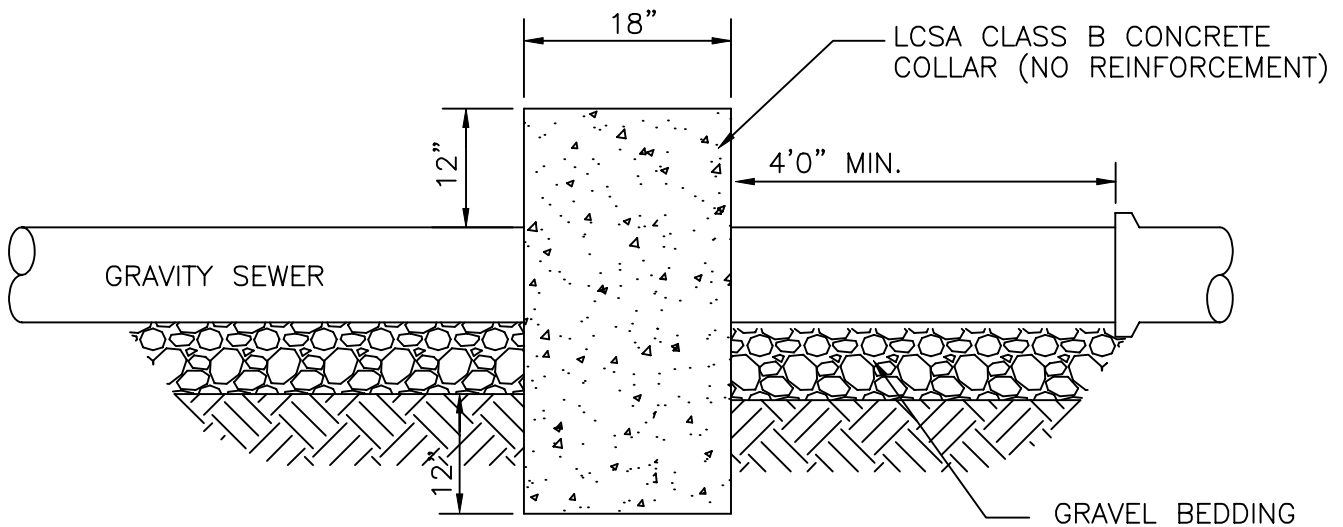


PLAN



SECTION

NOTES:

1. AT COLLAR, EXCAVATE A MINIMUM OF 12 INCHES INTO THE BOTTOM AND INTO EACH WALL OF THE TRENCH.
2. PROVIDE FORMS ADEQUATE TO PREVENT COLLAR FORM BEING OVERSIZED.

06/02/02

IMPERVIOUS TRENCH CHECK

S13