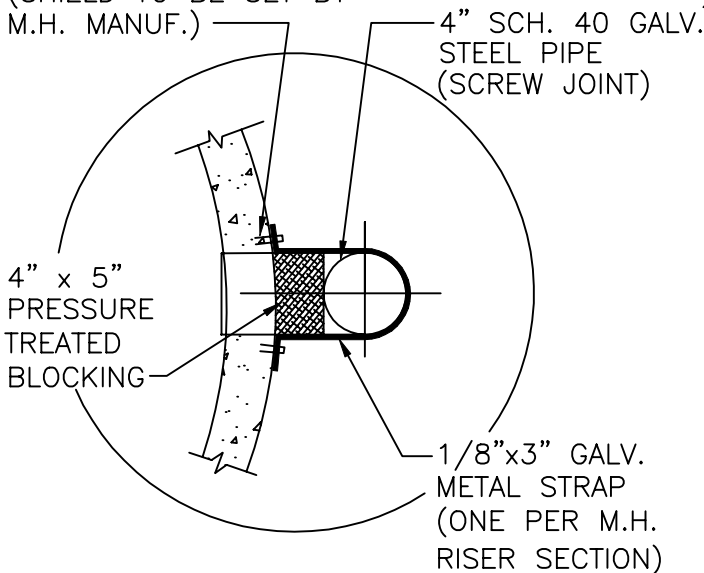


LEAD EXPANSION SHIELD FOR 1/2" DIA. x 3" BOLT (SHIELD TO BE SET BY M.H. MANUF.)



NOTES:

1. WATERTIGHT FRAME AND COVER TO UTILIZE BUTYL RUBBER BETWEEN FRAME & CONE.
2. CORE TO BE OFFSET 12" MIN. FROM M.H. RISER JOINT.
3. INSTALL BALL FLOAT CHECK VALVE (JOSAM 67100A) WHEN NOT EXTENDED ABOVE 100-YEAR FLOOD ELEV.
4. PIPE AND FITTINGS ABOVE GRADE TO BE COATED WITH EPOXY PAINT, APPLIED PER MANUFACTURERS RECOMENDATIONS.
5. REFER TO APPROVED PRODUCTS LIST FOR ADDITIONAL REQUIREMENTS.

06/02/02

SIDE VENT FOR MANHOLE

S6