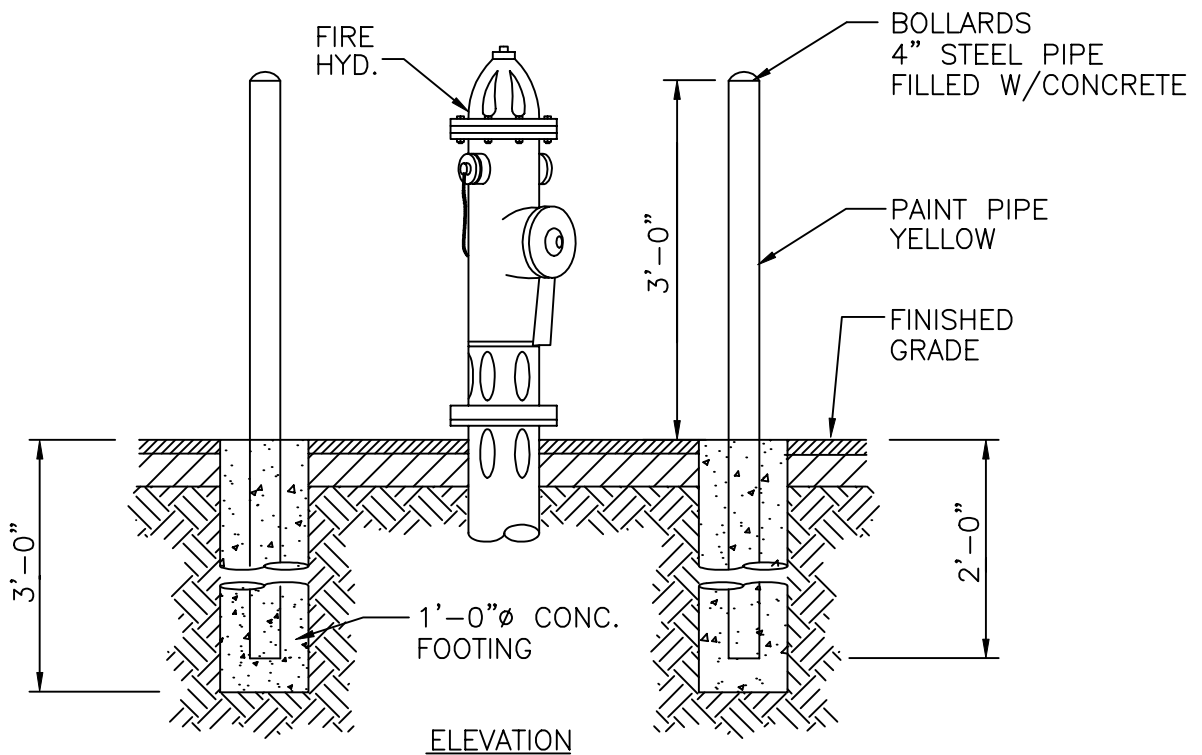


TYPICAL 3 BOLLARD PLACEMENT-PLAN



ELEVATION

NOTE:

QUANTITY & PLACEMENT OF BOLLARDS TO BE DETERMINED BY PLANS OR FIELD INSPECTION AS WARRANTED.

06/02/02

HYDRANT BOLLARDS

W7