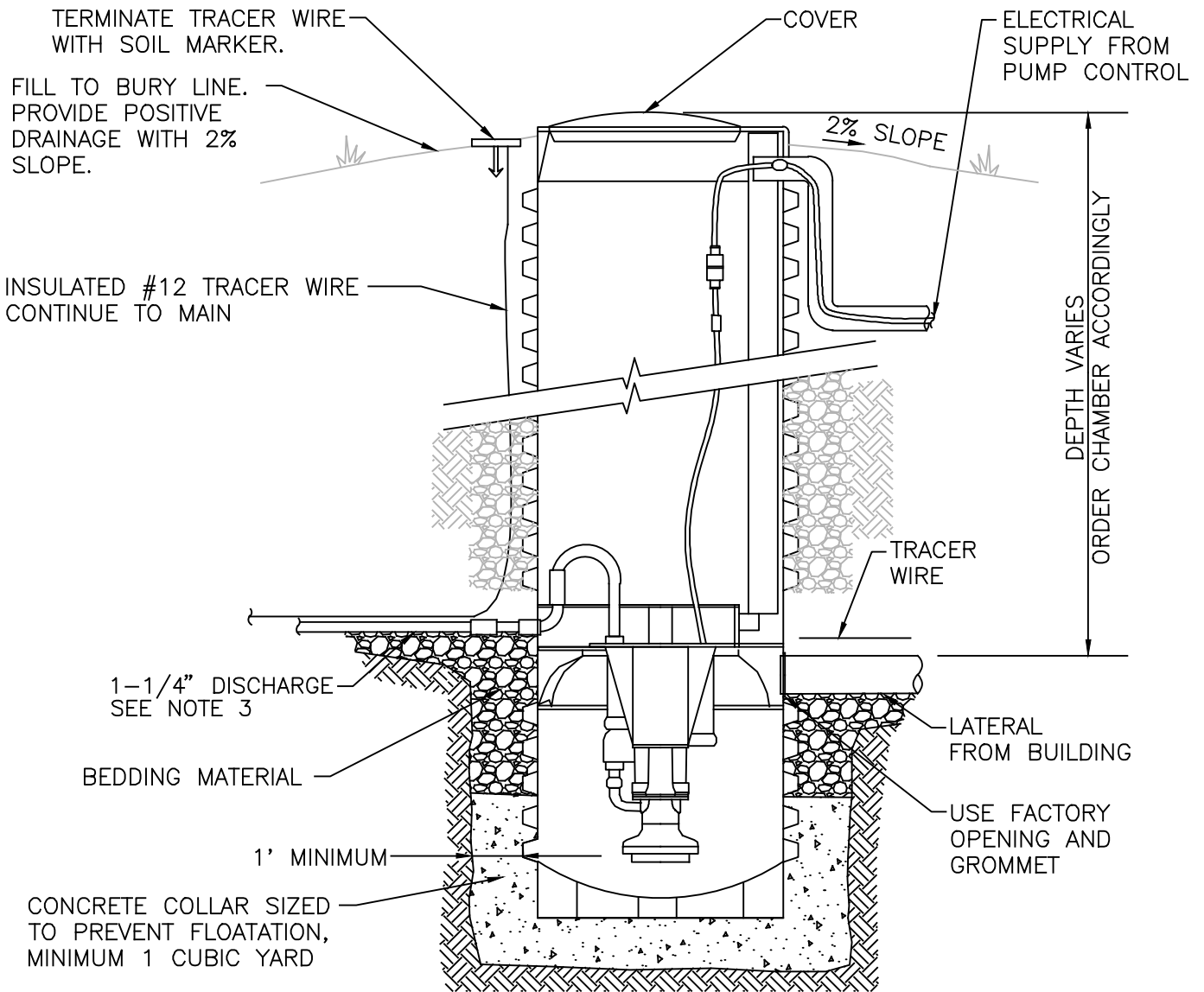


LOUDOUN WATER



NOTES:

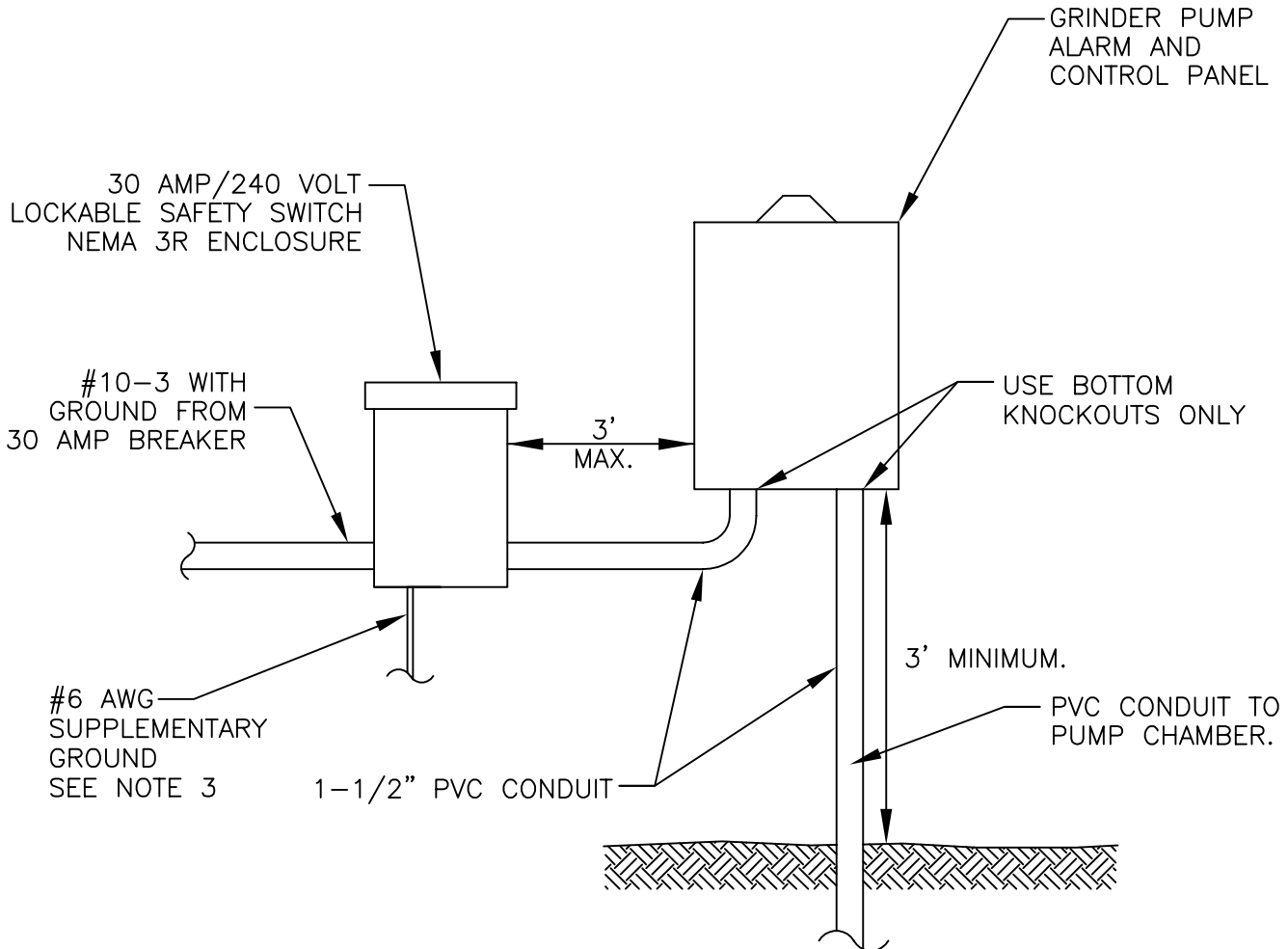
1. PUMP MUST BE LOCATED SO THAT IT IS READILY ACCESSIBLE WITH MAINTENANCE TRUCK.
2. GRINDER PUMP TO RECEIVE SANITARY SEWERAGE ONLY. WATER FROM FOUNDATION DRAINS, STORM DRAINS, SUMP PUMPS, ETC. MUST NOT DRAIN TO THE GRINDER PUMP.
3. 1-1/4" SCHEDULE 40 PVC DISCHARGE SHALL BE BEDDED IN #8 STONE. CONTINUE #8 STONE AS BACKFILL AROUND CHAMBER TO 2' BELOW GRADE.
4. LOW PRESSURE COLLECTION NOT TO BE USED, EXCEPT AT THE SOLE DISCRETION OF LOUDOUN WATER.

OCT.
2016

GRINDER PUMP

LPC-1

LOUDOUN WATER



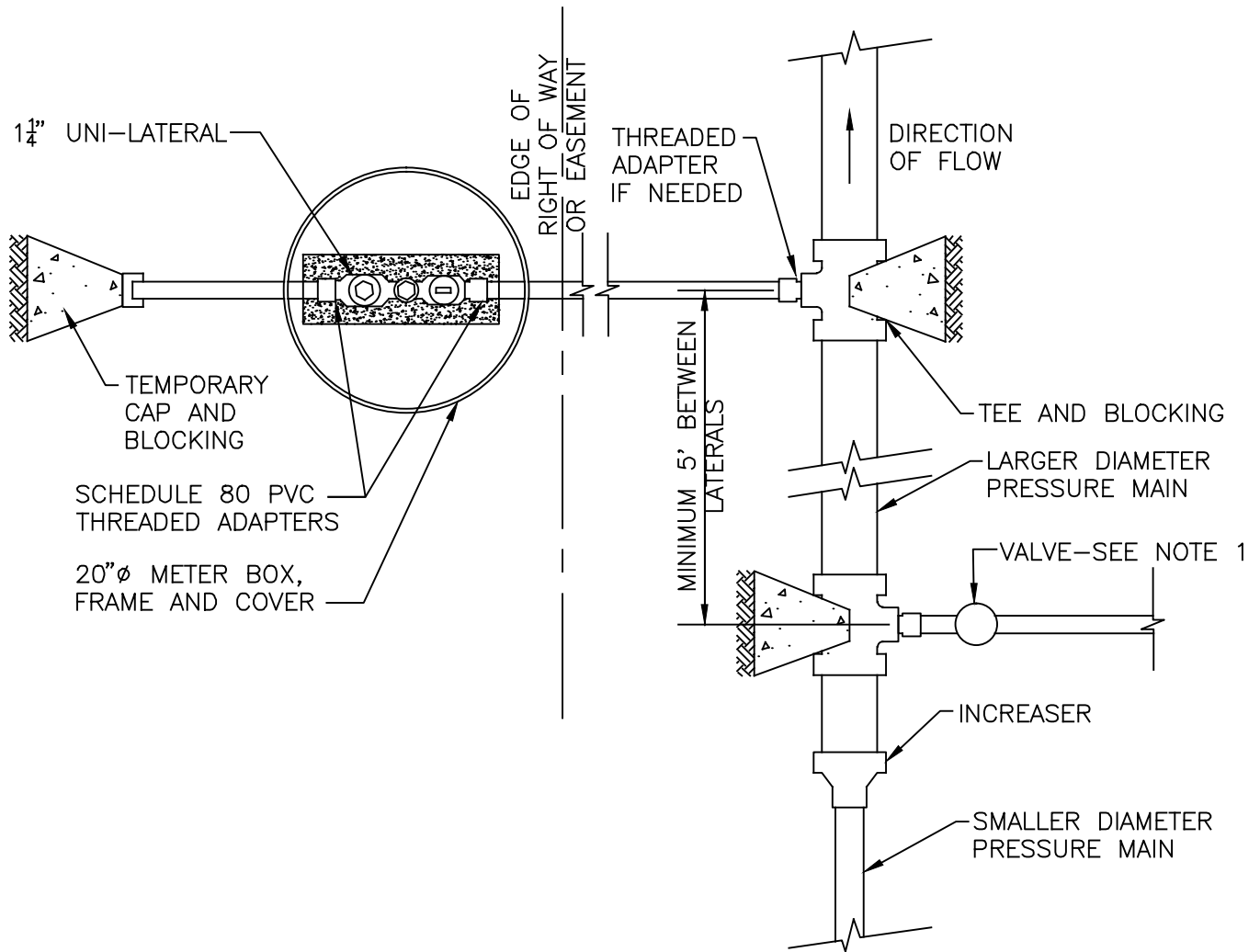
NOTES:

1. ELECTRIC TO MEET ALL CODES. OWNER TO OBTAIN ELECTRICAL PERMIT. A DEDICATED CIRCUIT IS REQUIRED.
2. SAFETY SWITCH AND CONTROL PANEL TO BE WITHIN 30' OF PUMP AND WITHIN CLEAR VIEW OF PUMP.
3. ROUTE SUPPLEMENTARY GROUND CONDUCTOR TO 3/4" X 10' GROUND ROD.
4. DUCT SEAL REQUIRED AT ALL CONDUIT/BOX CONNECTIONS.
5. LOW PRESSURE COLLECTION NOT TO BE USED, EXCEPT AT THE SOLE DISCRETION OF LOUDOUN WATER.

APR.
2010

ELECTRICAL SUPPLY TO PUMP

LPC-2



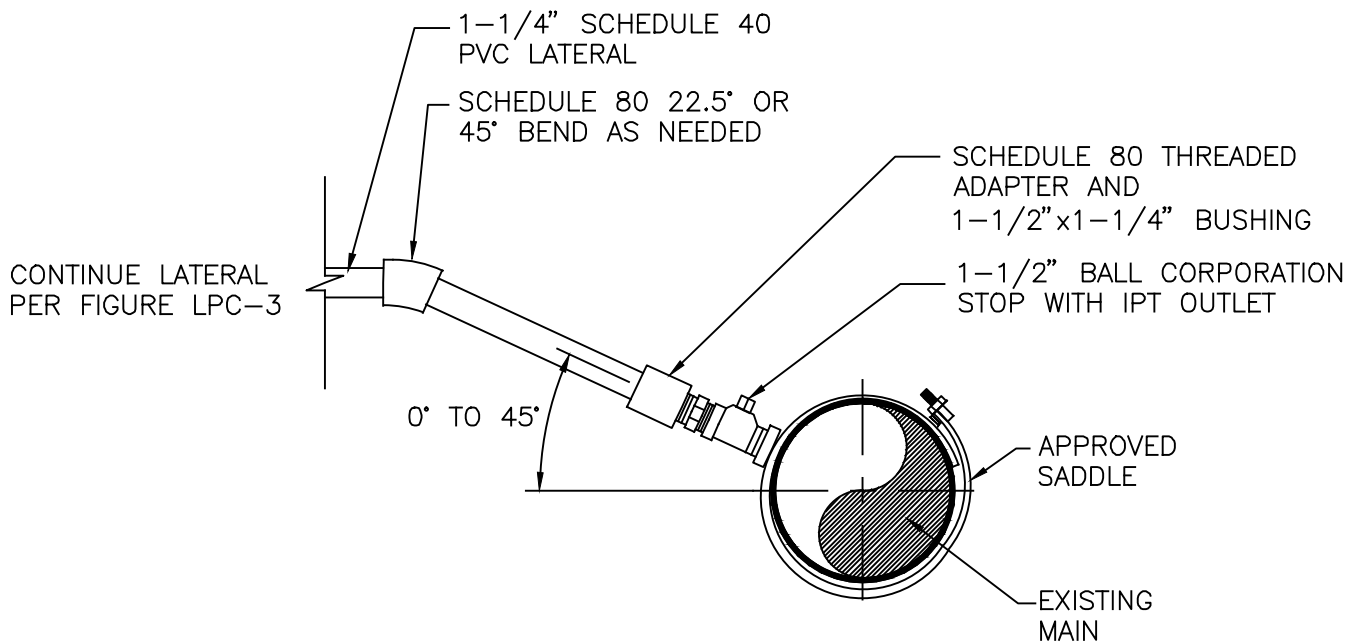
NOTES:

1. WHERE DISTANCE FROM MAIN TO UNI-LATERAL IS MORE THAN 10', ADD BRANCH VALVE AT TEE.
2. LATERAL TO BE 1-1/4" DIAMETER SCHEDULE 40 PVC, CONFORMING TO ASTM 2241, RATED FOR PRESSURE OF 125 PSI OR MORE. FITTINGS WITHIN LATERAL TO BE SCHEDULE 80 PVC, WITH SOLVENT WELD ENDS.
3. PROVIDE 1-1/4" UNI-LATERAL STAINLESS STEEL LATERAL VALVE FROM E/ONE. SET VALVE ON SOLID CONCRETE BRICKS. INSTALL 20" DIAMETER X 30" METER BOX FRAME AND COVER.
4. ALL MATERIALS MUST CONFORM TO LOUDOUN WATER'S APPROVED MATERIALS LIST.
5. LOW PRESSURE COLLECTION NOT TO BE USED, EXCEPT AT THE SOLE DISCRETION OF LOUDOUN WATER.

OCT.
2016

LOW PRESSURE LATERAL

LPC-3



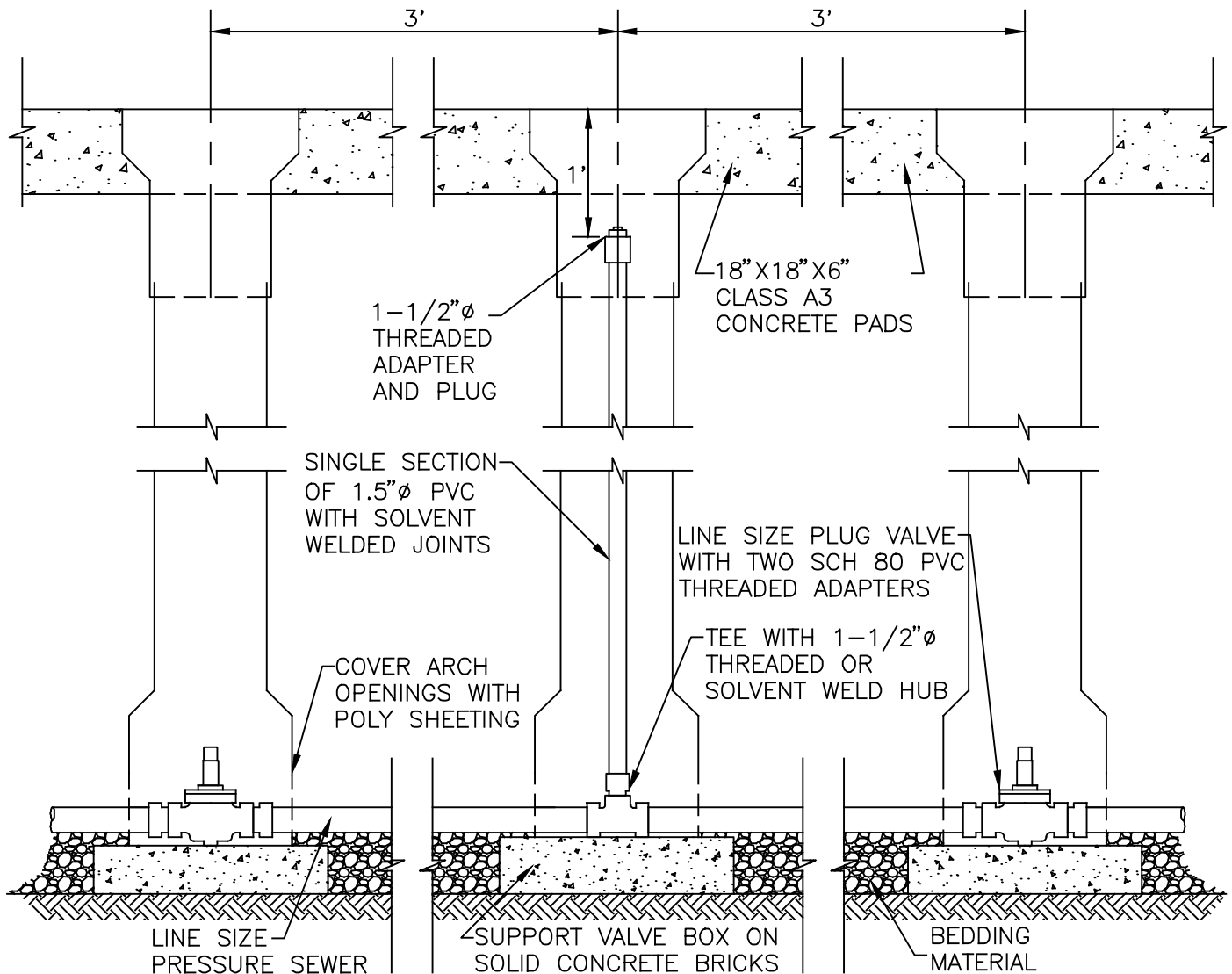
NOTES:

1. SADDLE TO BE STAINLESS STEEL BAND, SIZED FOR EXISTING IPS MAIN.
2. LOUDOUN WATER'S REPRESENTATIVE MUST BE PRESENT DURING THE TAPPING OF THE MAIN. THE ENTIRE LATERAL MUST RECEIVE INSPECTION AND APPROVAL FROM LOUDOUN WATER PRIOR TO BACKFILL.

OCT.
2016

SERVICE BY TAP

LPC-4



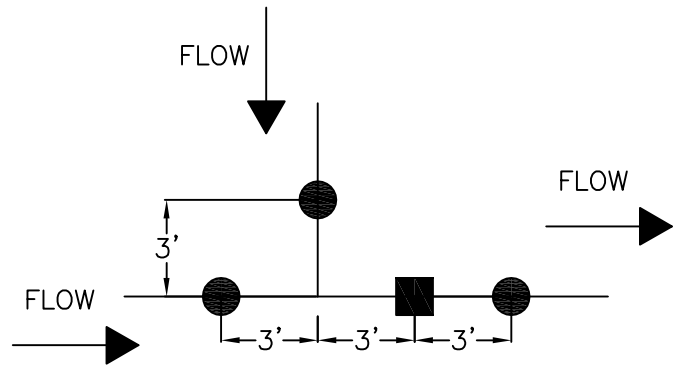
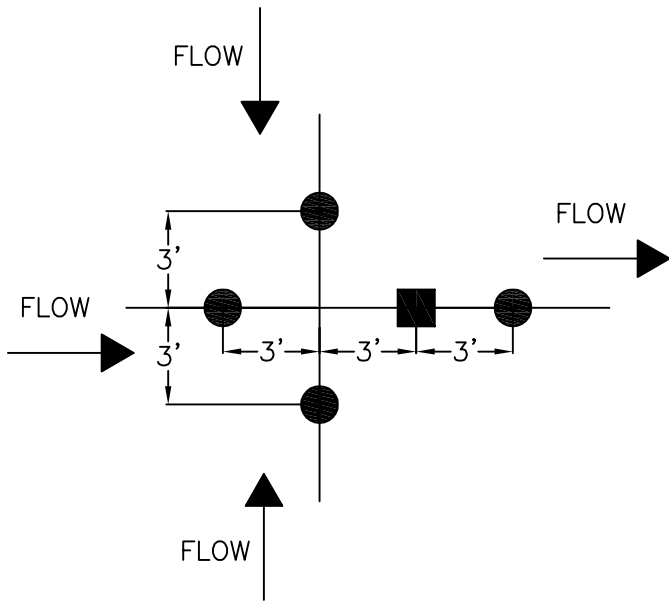
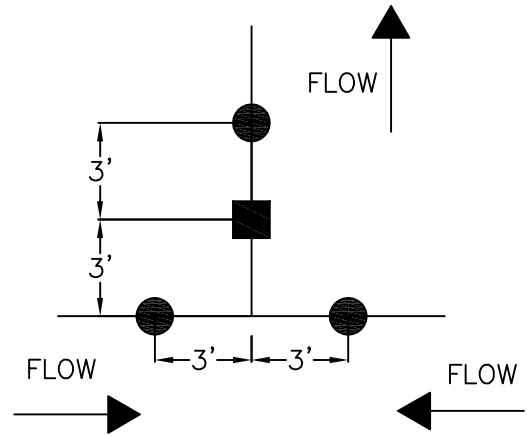
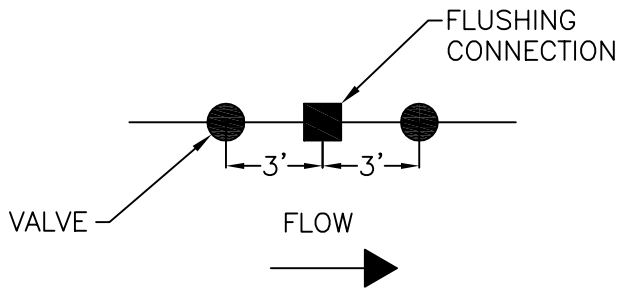
NOTES:

1. RISER TO BE 1-1/2" DIAMETER SCHEDULE 40 PVC (ASTM D2241) WITH 125-PSI RATING OR BETTER. FITTINGS IN RISER TO BE SCHEDULE 80 PVC.
2. APPROVED PLUG VALVES ONLY, WITH THREADED ENDS.
3. PROVIDE RISER AND EACH VALVE WITH 5-1/4" IRON VALVE BOX WITH ARCHED BOTTOMS AND COVER LABELED "S".
4. ALL MATERIALS MUST CONFORM TO LOUDOUN WATER'S APPROVED MATERIALS LIST.
5. LOCATE FLUSHING CONNECTIONS AT 800' INTERVALS ON LINE.

OCT.
2016

FLUSHING CONNECTION

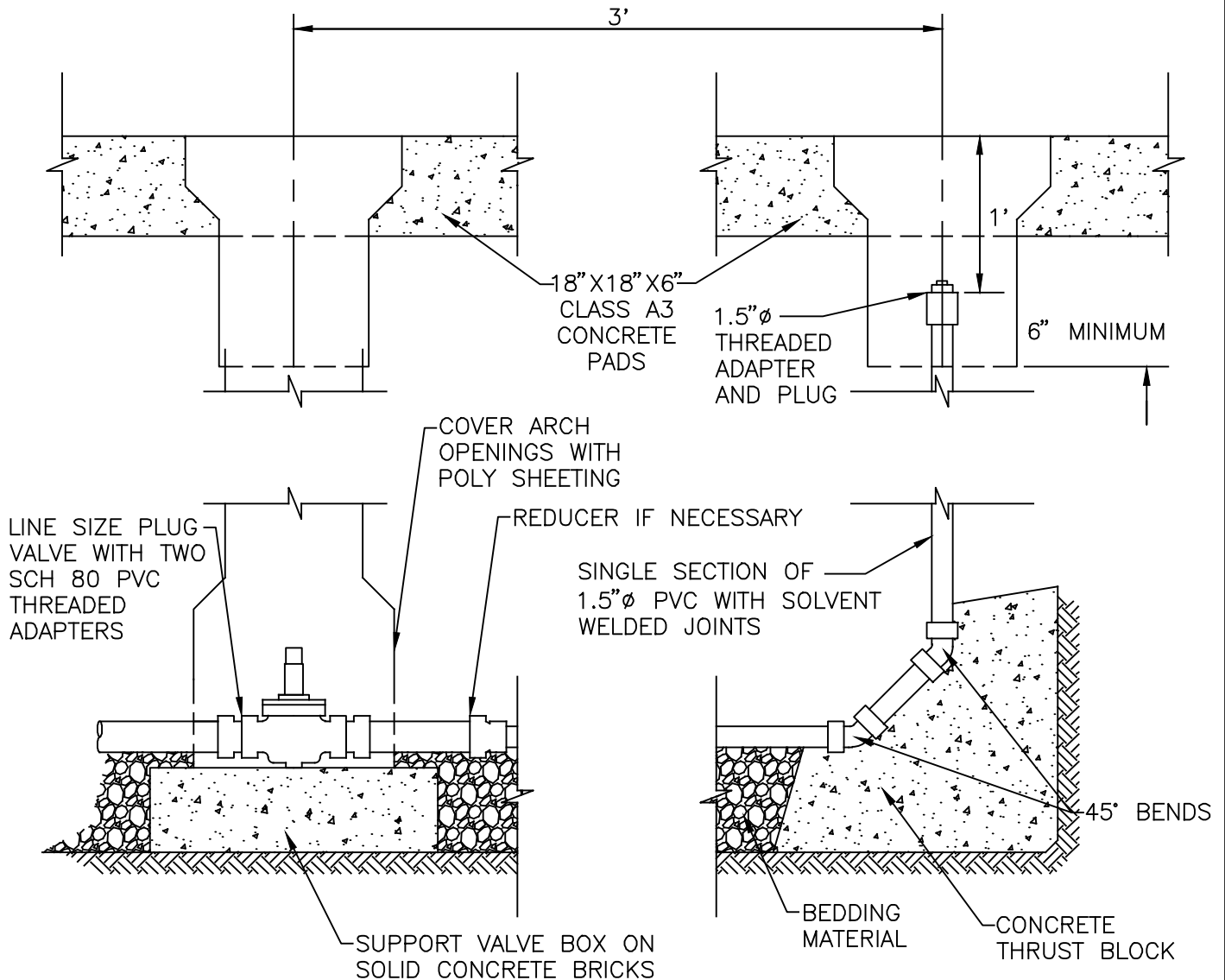
LPC-5



APR.
2010

LOCATION OF VALVES FOR
IN-LINE FLUSHING CONNECTION

LPC-6



NOTES:

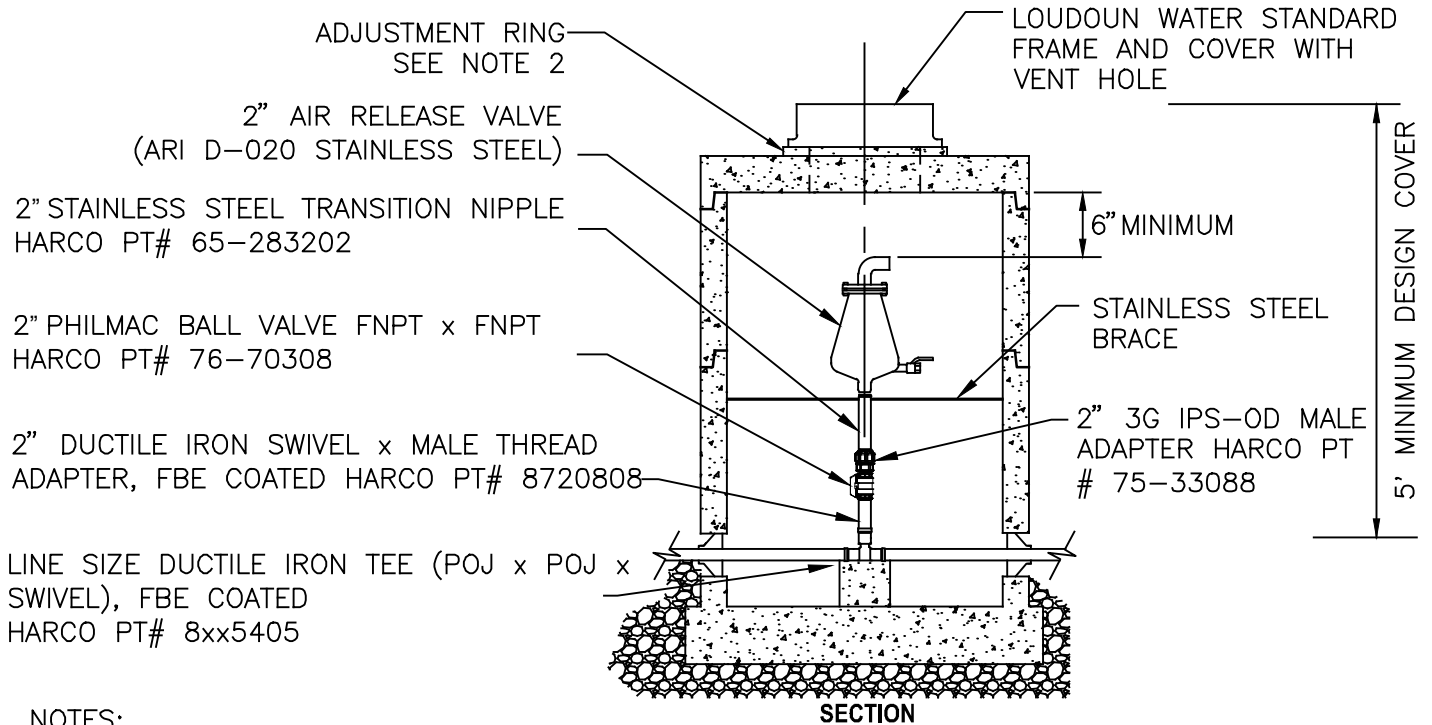
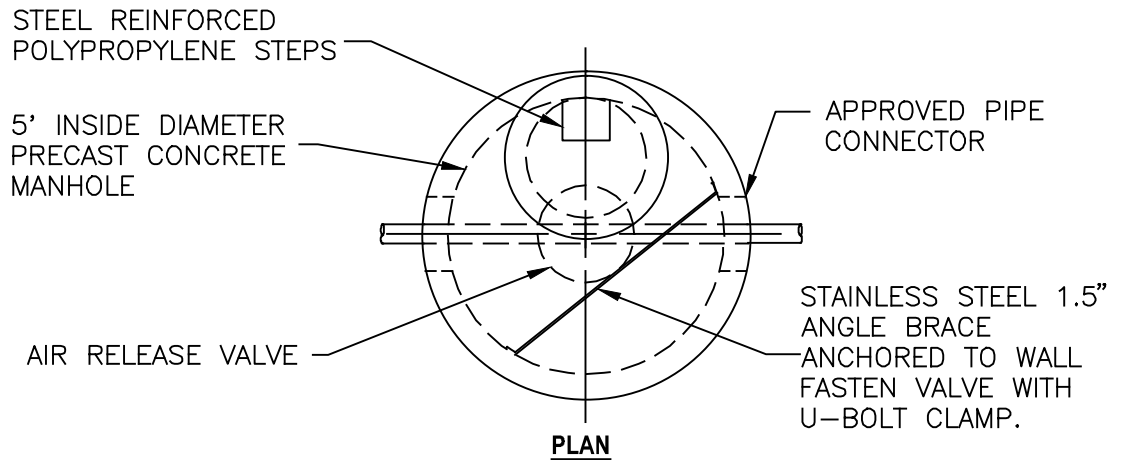
1. RISER TO BE 1-1/2" DIAMETER SCHEDULE 40 PVC (ASTM D2241) WITH 125-PSI RATING OR BETTER. FITTINGS IN RISER TO BE SCHEDULE 80 PVC.
2. APPROVED PLUG VALVES ONLY, WITH THREADED ENDS.
3. PROVIDE RISER AND VALVE WITH 5-1/4" IRON VALVE BOX WITH ARCHED BOTTOMS AND COVER LABELED "S".
4. ALL MATERIALS MUST CONFORM TO LOUDOUN WATER'S APPROVED MATERIALS LIST.

OCT.
2016

TERMINAL FLUSHING CONNECTION

LPC-7

LOUDOUN WATER



NOTES:

1. CONFINED SPACE: ATMOSPHERE MUST BE VENTED AND TESTED PRIOR TO ENTRY.
2. MAXIMUM ADJUSTMENT BY GRADE RINGS IS 12" IN PAVEMENT AND 6" ELSEWHERE.
3. MANHOLE SHALL BE REINFORCED TO MEET ASTM 478/AASHTO M199. JOINTS TO BE GASKETED IN ACCORDANCE WITH ASTM C443. APPLY PROPER LUBRICANT FOR ASSEMBLY.
4. ALL COMPONENTS TO BE IN ACCORDANCE WITH LOUDOUN WATER'S APPROVED MATERIALS LIST.

OCT.
2016

AIR RELEASE FOR LOW
PRESSURE SEWER

LPC-8